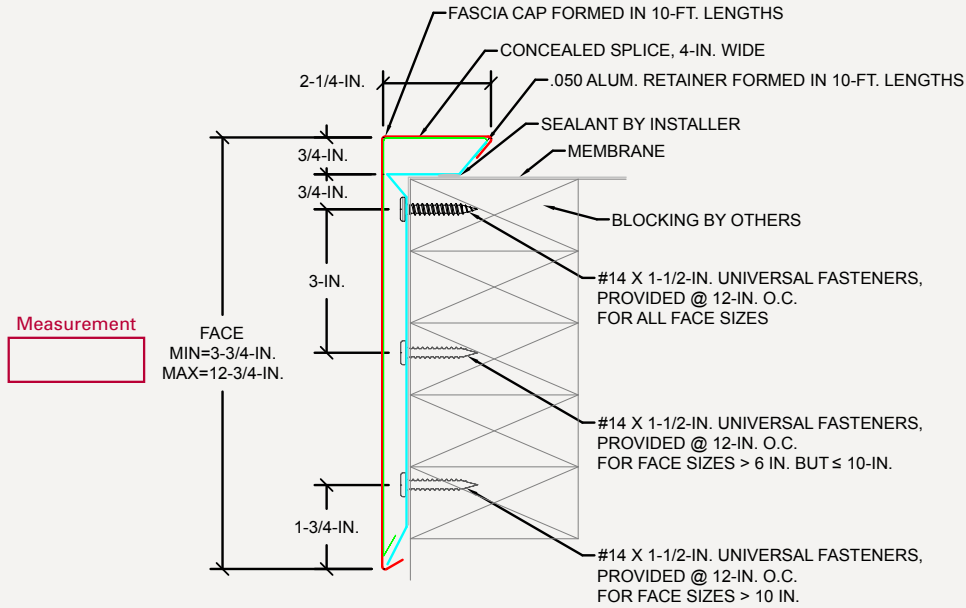




TerminEdge™ AR Fascia with Formed Aluminum Retainer for Single-Ply.

ORDER SPECIFICATION FORM

ANSI/SPRI/FM4435/ES-1 TEST PRESSURES UP TO 286 PSF (HORIZONTAL)



PRE-DRILL WITH 3/16-IN. DRILL BIT FOR MASONRY CONDITIONS.

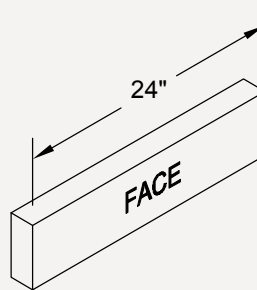
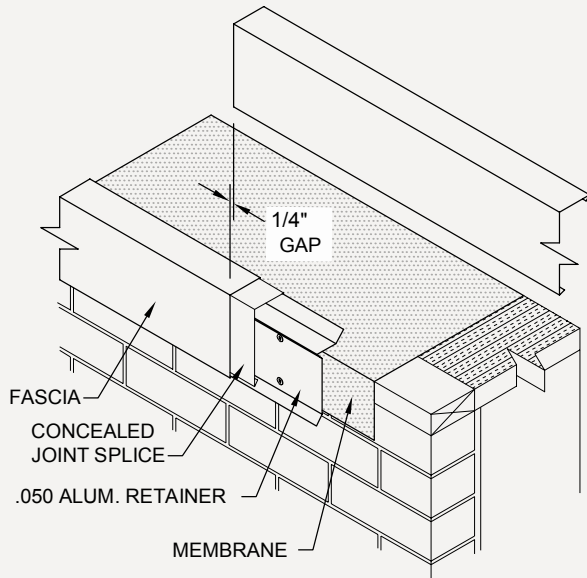
CONTACT OMG FOR APPROPRIATE RECOMMENDATIONS NEEDED TO MEET/EXCEED ANSI/SPRI/FM4435/ES-1 DESIGN CRITERIA

APPROVALS		COVER MATERIAL	THICKNESS	COVER FINISH
Florida Product Approval		Aluminum Galvanized Steel Stainless Steel	24Ga. 22Ga. .040 in. .050 in. .063 in.	Mill Prefinished Kynar Premium Prefinished Kynar Post Finished Kynar Prefinished Anodized Post Finished Anodized
QUANTITY		ACCESSORY TYPE		
_____	Straight Length	Welded		
_____	Total Miters (Inside: _____ / Outside: _____)	Folded		
_____	Total End Caps (Left: _____ / Right: _____)			
_____	Total End Terms (Left: _____ / Right: _____)			
_____	Radius Notched			
_____	Radius to Straight Miter Notched			
_____	Radius End Cap			
_____	Vault Welded			
_____	Vault to Straight Miter Welded			
_____	Vault End Cap			
_____	Z-Miter			
_____	Ridge Miter			
_____	Valley Miter			
_____	Sumps			
_____	Spillouts			
FACE HEIGHT		CUSTOMER APPROVAL		
_____	COLOR	Approved for Fabrication Approved with Changes Not Approved		
_____	_____	_____ Authorized Customer Signature		
_____	_____	Title _____ Date _____		
_____	_____	Job Name: _____		
_____	_____	Project Location: _____		
_____	_____	Customer: _____		
_____	_____	Representative: _____		

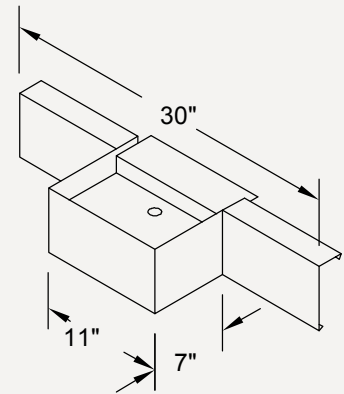


TerminEdge™ AR

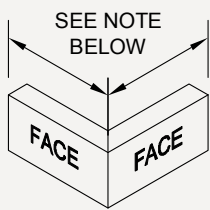
Fascia with Formed Aluminum Retainer for Single-Ply.



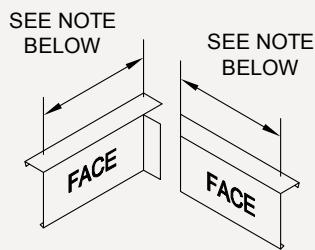
END CAP
LEFT HAND SHOWN



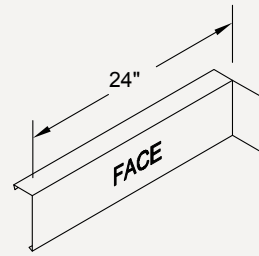
SUMP
2 PIECE ASSEMBLY



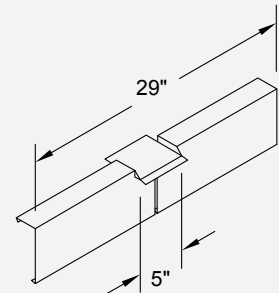
OUTSIDE MITER



INSIDE MITER
2 PIECE ASSEMBLY



END TERM
RIGHT HAND SHOWN



SPILLOUT
3 PIECE ASSEMBLY

Standard fascia miter leg lengths: 12" nominal

Standard fascia miter angle is 90°

For special miter requirements, attach sketches or consult manufacturer for assistance.



EdgeSystems

4 COMMERCE WAY, ARDEN NC 28704 USA
800-892-9173 828-676-1700 OMGROOFING.COM

Copyright © 2020 OMG, Inc. All rights reserved.

Superior productivity.
Superior performance.

